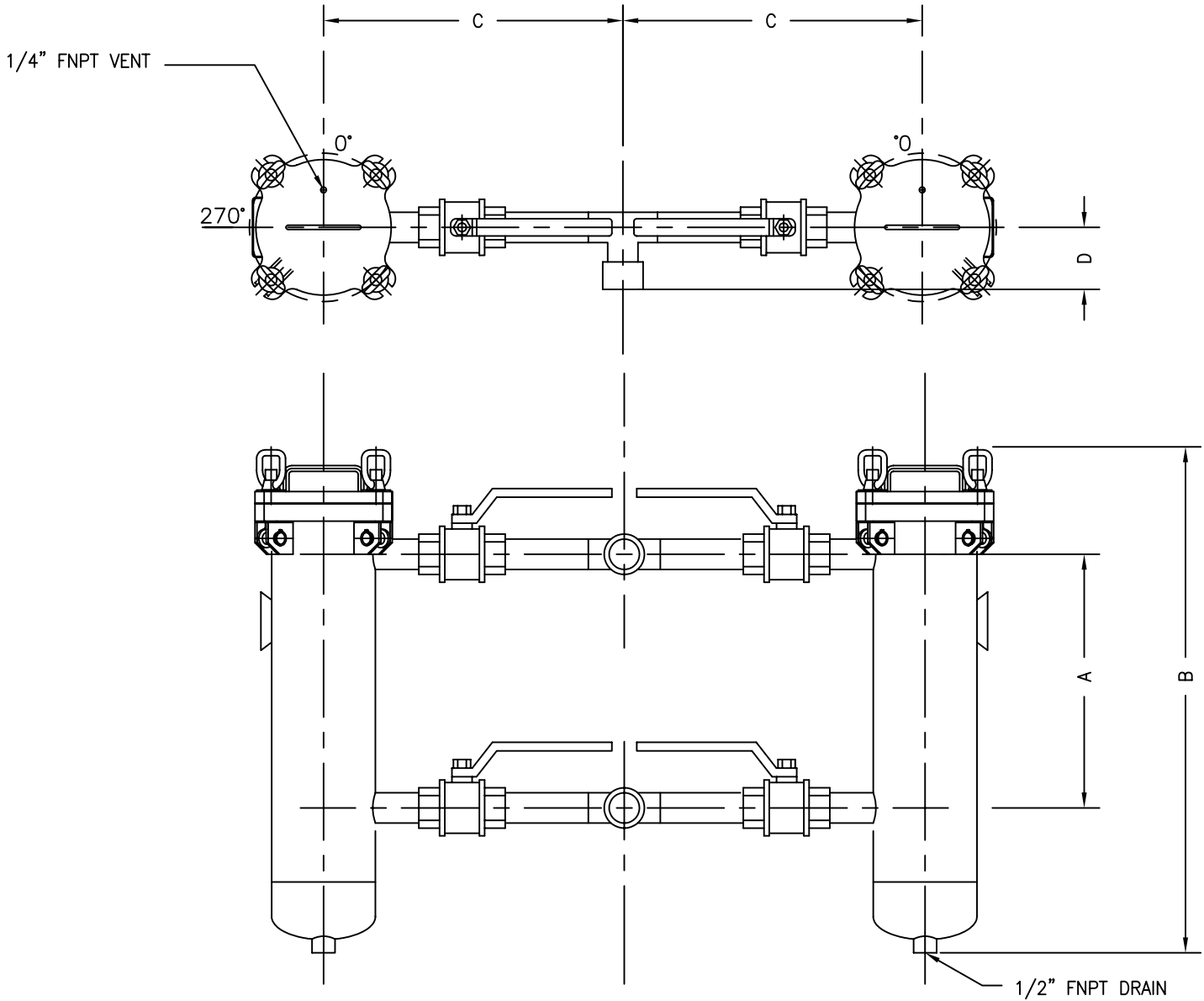


MANUREP SALES INC.

DFS - 40 - SE



FITTING SIZE	A	B	C	D
1" FNPT	11"	22"	13"	2 1/4"
1 1/2" FNPT	11"	22"	13"	3 1/4"

STD.

SHIPPING WEIGHT	60 lbs
VOLUME	2 US. gal.
DESIGN PRESSURE	150 psig. @ 225 F