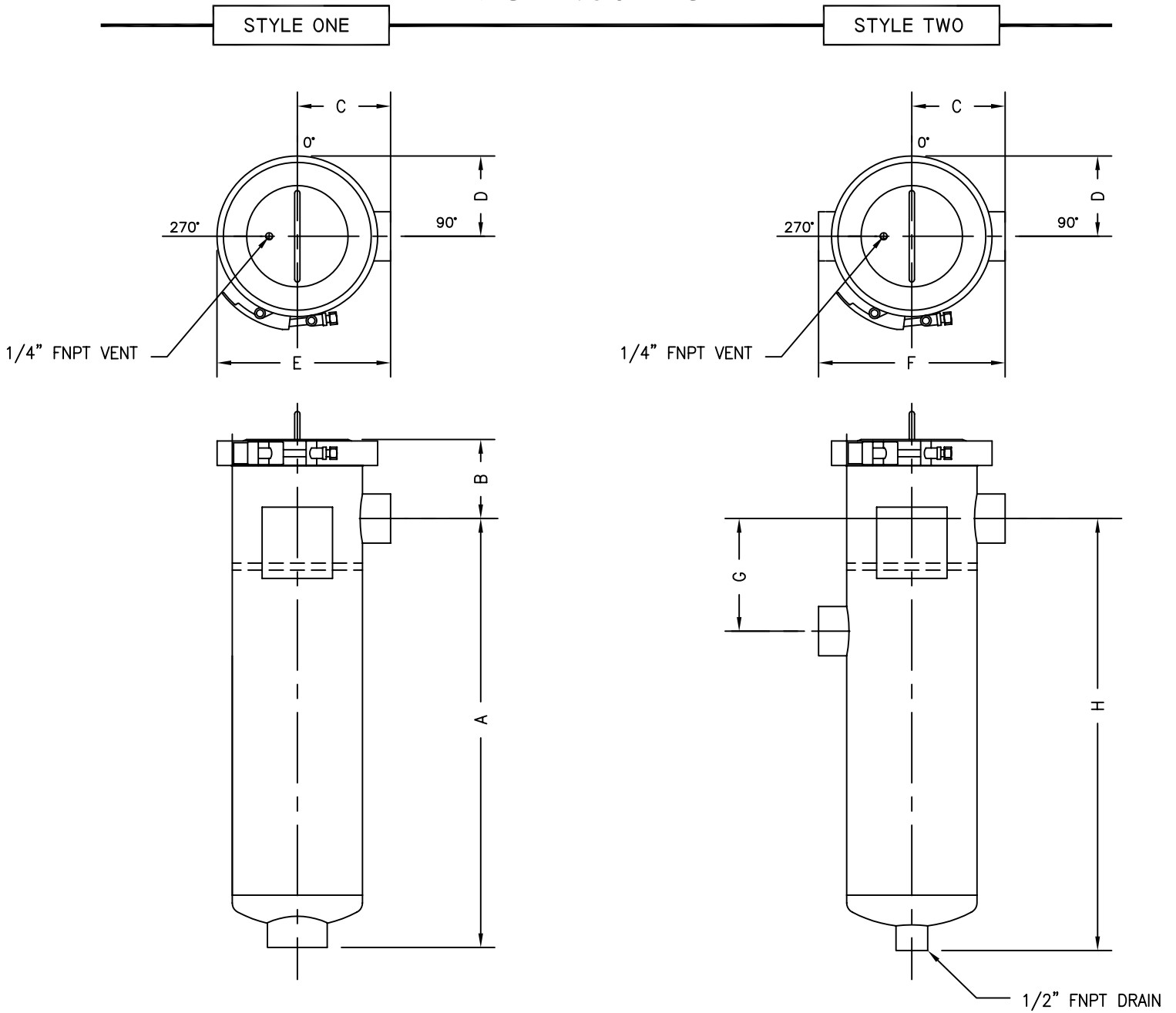


# MANUREP SALES INC.

## FS - 180 - CL



FITTING SIZE	A	B	C	D	E	F	G	H
2" FNPT	33 1/2"	3 1/2"	7 1/2"	4 1/2"	12"	13"	6"	33"
3" FNPT	34 1/2"	4"	8 1/2"	4 1/2"	13"	14"	6"	34"

SHIPPING WEIGHT	95 lbs
VOLUME	7 1/2 US. gal.
DESIGN PRESSURE	100 psig. @ 225 F

ALL STATEMENTS, TECHNICAL INFORMATION, AND DIMENSIONS IN THIS BULLETIN ARE FOR GENERAL USE ONLY.