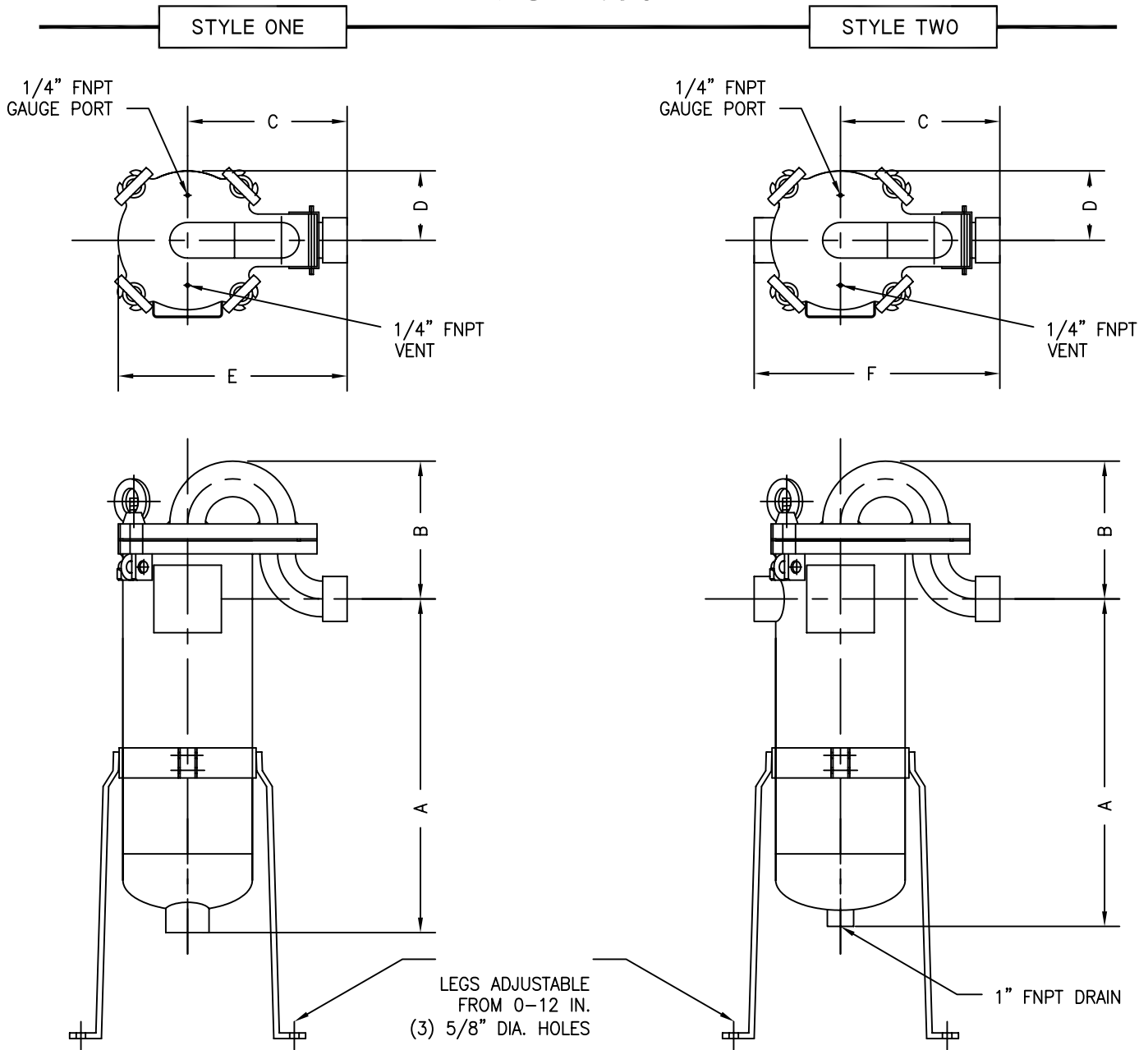


MANUREP SALES INC.

FS - 180



	FITTING SIZE	A	B	C	D	E	F
STD.	2" FNPT	29 1/4"	9"	10 1/4"	4 5/8"	15 7/8"	17 1/2"
	2 1/2" FNPT	29 1/4"	11"	10 1/4"	4 5/8"	17"	18 5/8"
	3" FNPT	29 1/4"	12 3/4"	10 1/4"	4 5/8"	18 11/16"	20 1/4"

SHIPPING WEIGHT	110 lbs
VOLUME	7 1/4 US. gal.
DESIGN PRESSURE	150 psig. @ 225 F