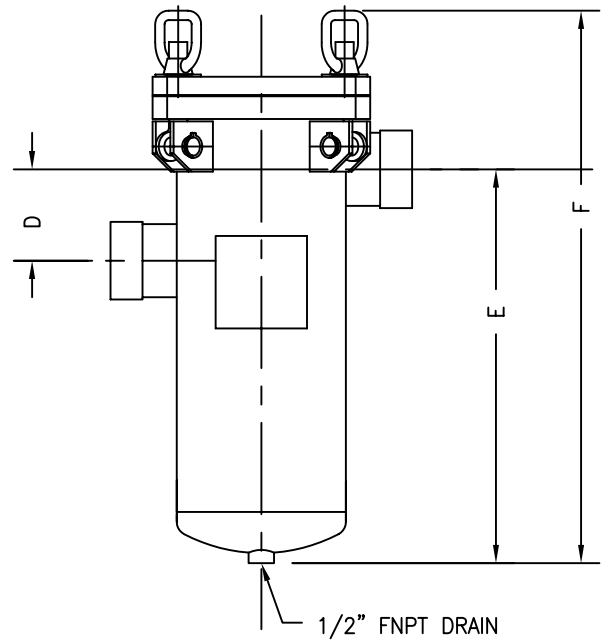
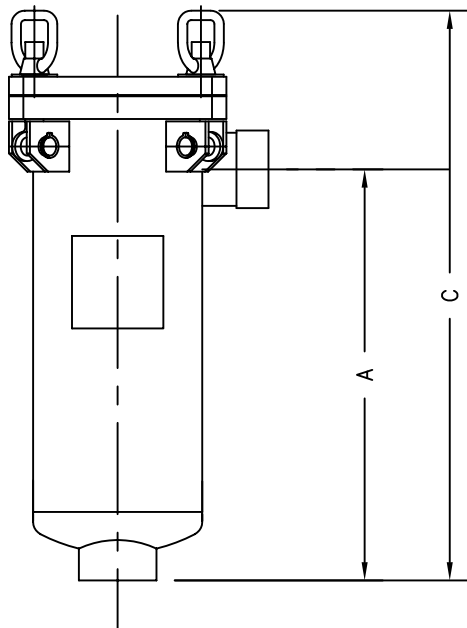
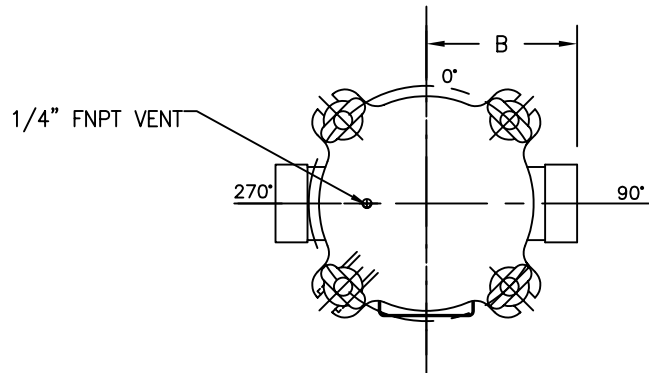
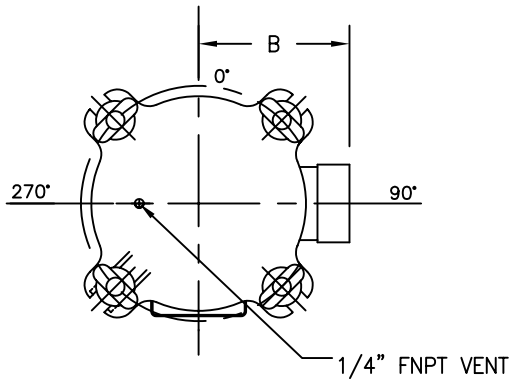


MANUREP SALES INC.

FS - 20 - SE

STYLE ONE

STYLE TWO



STD.

FITTING SIZE	A	B	C	D	E	F
1" FNPT	9 1/2"	4 1/2"	14 1/2"	5"	9 1/4"	14 1/4"
1 1/2" FNPT	9 1/2"	4 1/2"	14 1/2"	5"	9 1/4"	14 1/4"

SHIPPING WEIGHT	12 lbs.
VOLUME	1/2 US. gal.
DESIGN PRESSURE	150 psig. @ 225 F