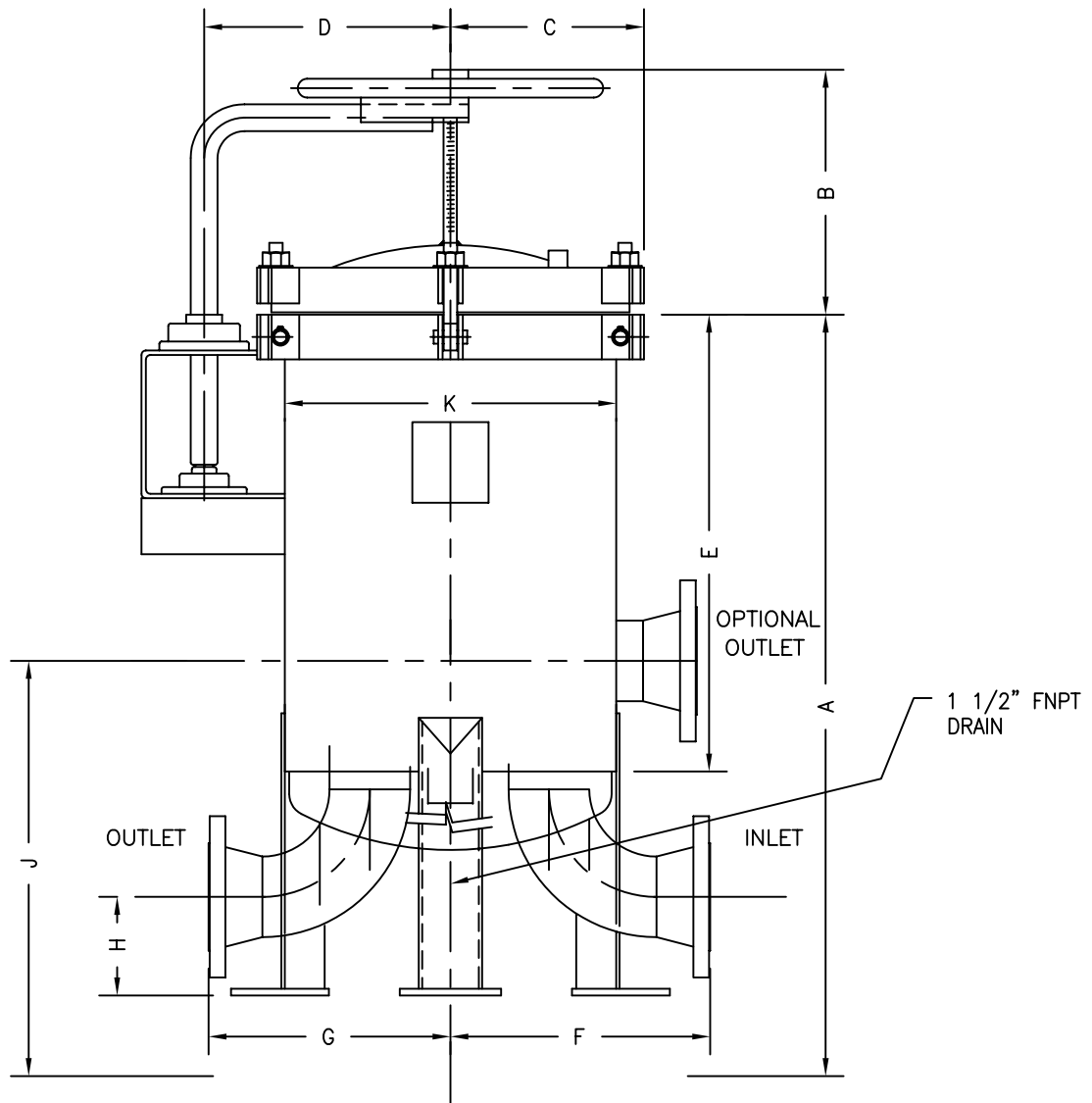


MANUREP SALES INC.

FS - 360 - 2 BAG



STD.

FITTING SIZE	A	B	C	D	E	F	G	H	J	K
3" FLG	41"	14 1/4"	12 1/2"	13 1/4"	26"	12 3/4"	11 3/4"	5"	17 1/2"	18"
4" FLG	42"	14 1/4"	12 1/2"	13 1/4"	26"	14 1/2"	13 1/2"	5 1/2"	17 1/2"	18"

SHIPPING WEIGHT	450 lbs
VOLUME	40 US. gal.
DESIGN PRESSURE	150 psig. @ 225 F

ALL STATEMENTS, TECHNICAL INFORMATION, AND DIMENSIONS IN THIS BULLETIN ARE FOR GENERAL USE ONLY.