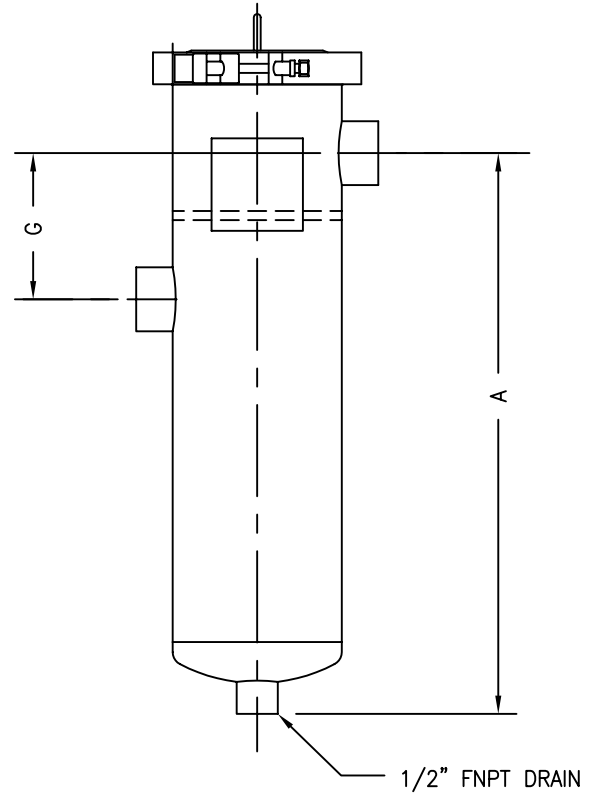
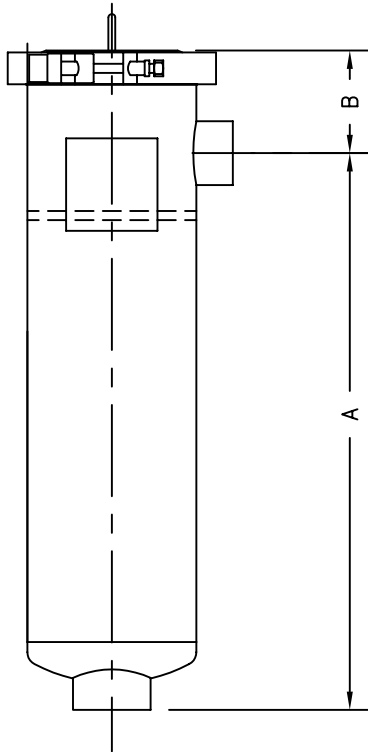
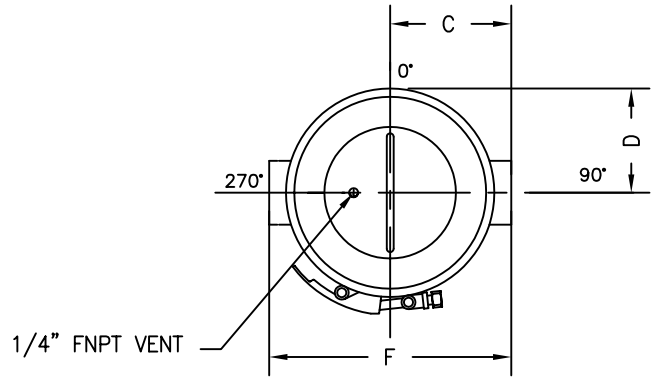
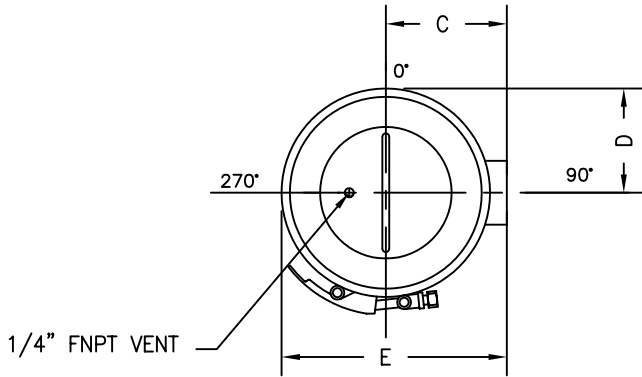


MANUREP SALES INC.

FS - 40 - CL

STYLE ONE

STYLE TWO



STD.

FITTING SIZE	A	B	C	D	E	F	G
1" FNPT	16 1/4"	2 3/4"	4 1/2"	3"	6 1/4"	9"	3"
1 1/2" FNPT	16 1/4"	2 3/4"	4 1/2"	3"	6 1/4"	9"	3"

SHIPPING WEIGHT	15 lbs
VOLUME	1 US. gal.
DESIGN PRESSURE	150 psig. @ 225 F