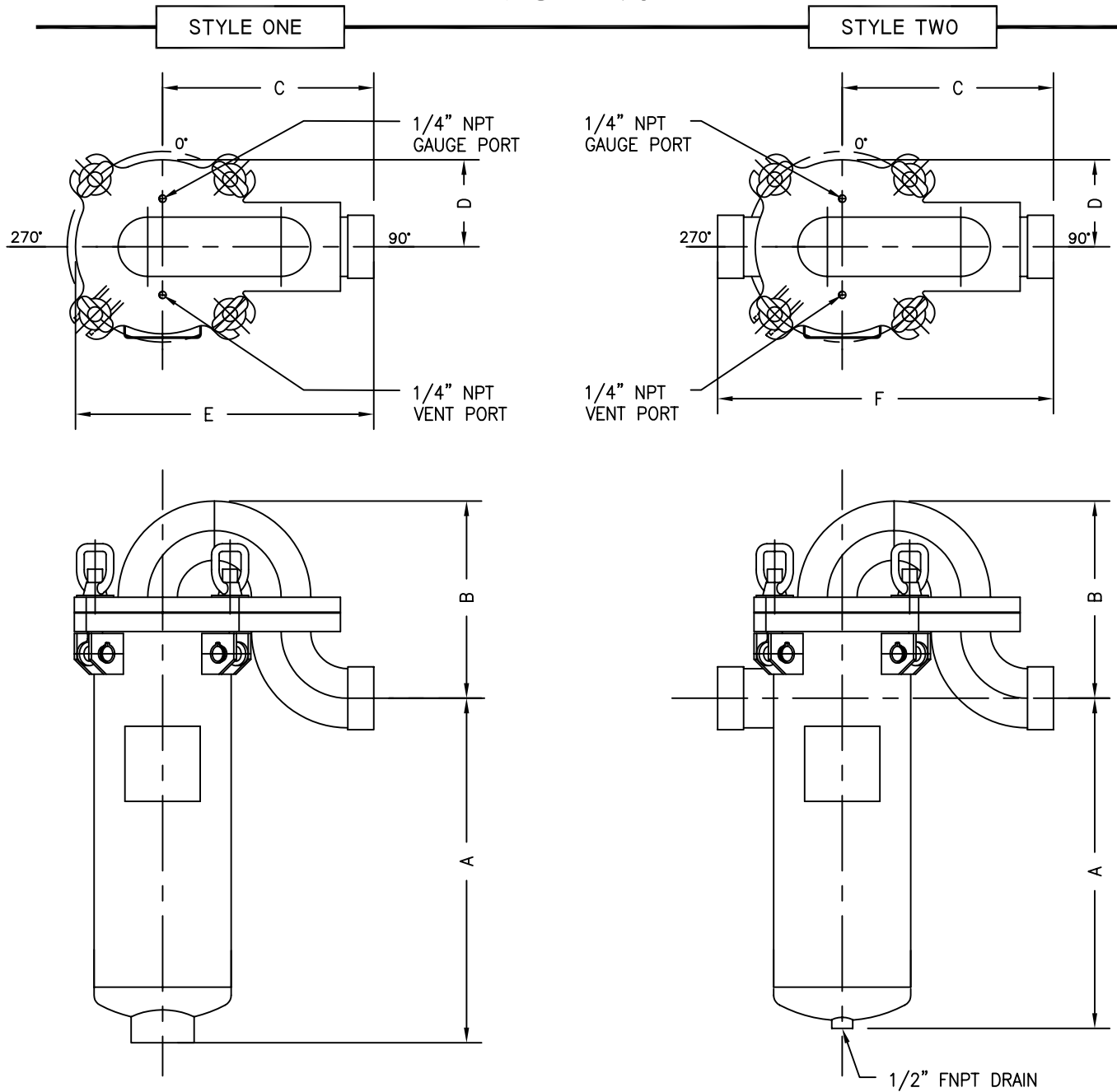


MANUREP SALES INC.

FS - 40



	FITTING SIZE	A	B	C	D	E	F
STD.	1" FNPT	12 1/2"	6 3/4"	7 3/8"	2 7/8"	10 3/16"	11 3/4"
	1 1/2" FNPT	12 1/2"	6 3/4"	7 3/8"	2 7/8"	10 3/16"	11 3/4"

SHIPPING WEIGHT	21 lbs.
VOLUME	1 US. gal.
DESIGN PRESSURE	150 psig. @ 225 F