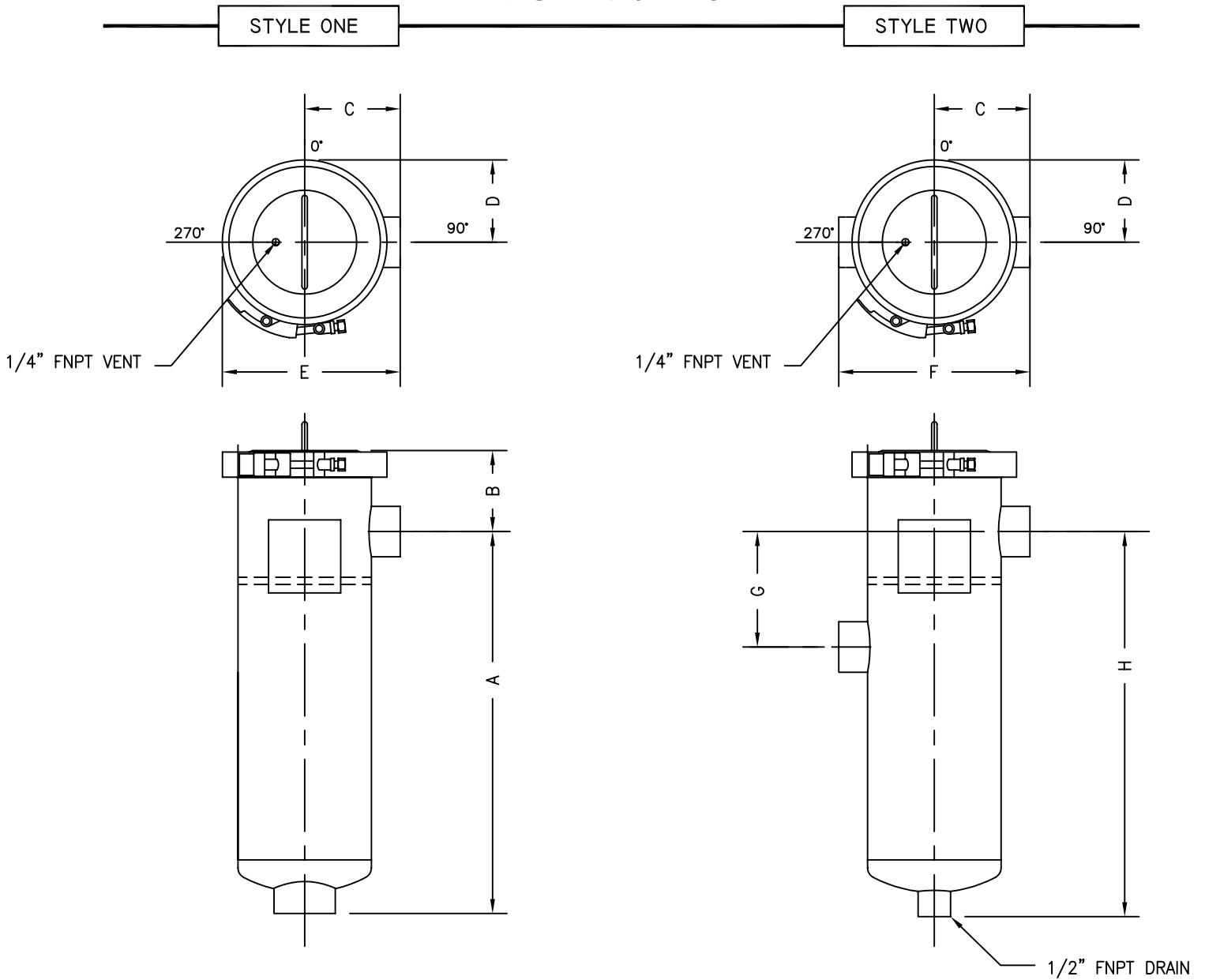


MANUREP SALES INC.

FS - 90 - CL



FITTING SIZE	A	B	C	D	E	F	G	H
2" FNPT	19 1/2"	3 1/2"	7 1/2"	4 1/2"	12"	13"	6"	19 1/4"
3" FNPT	20 1/2"	4"	8 1/2"	4 1/2"	13"	14"	6"	20 1/4"

SHIPPING WEIGHT	80 lbs
VOLUME	4 1/2 US. gal.
DESIGN PRESSURE	100 psig. @ 225 F

ALL STATEMENTS, TECHNICAL INFORMATION, AND DIMENSIONS IN THIS BULLETIN ARE FOR GENERAL USE ONLY.